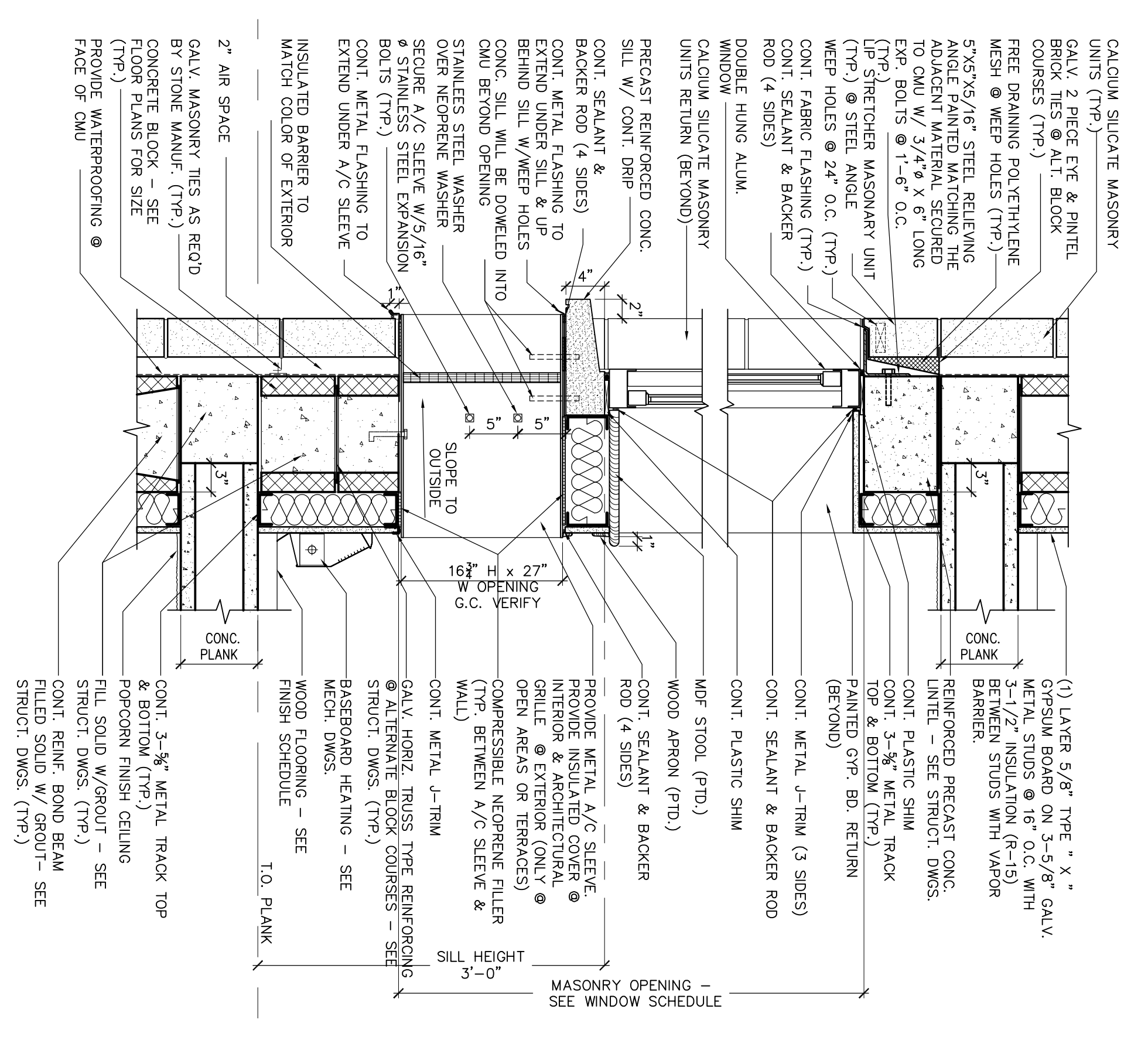


**1 WINDOW ELEV. @ CALCIUM SILICATE MASONRY UNIT**  
SCALE: 3/4"=1'-0"  
A-300.301.303

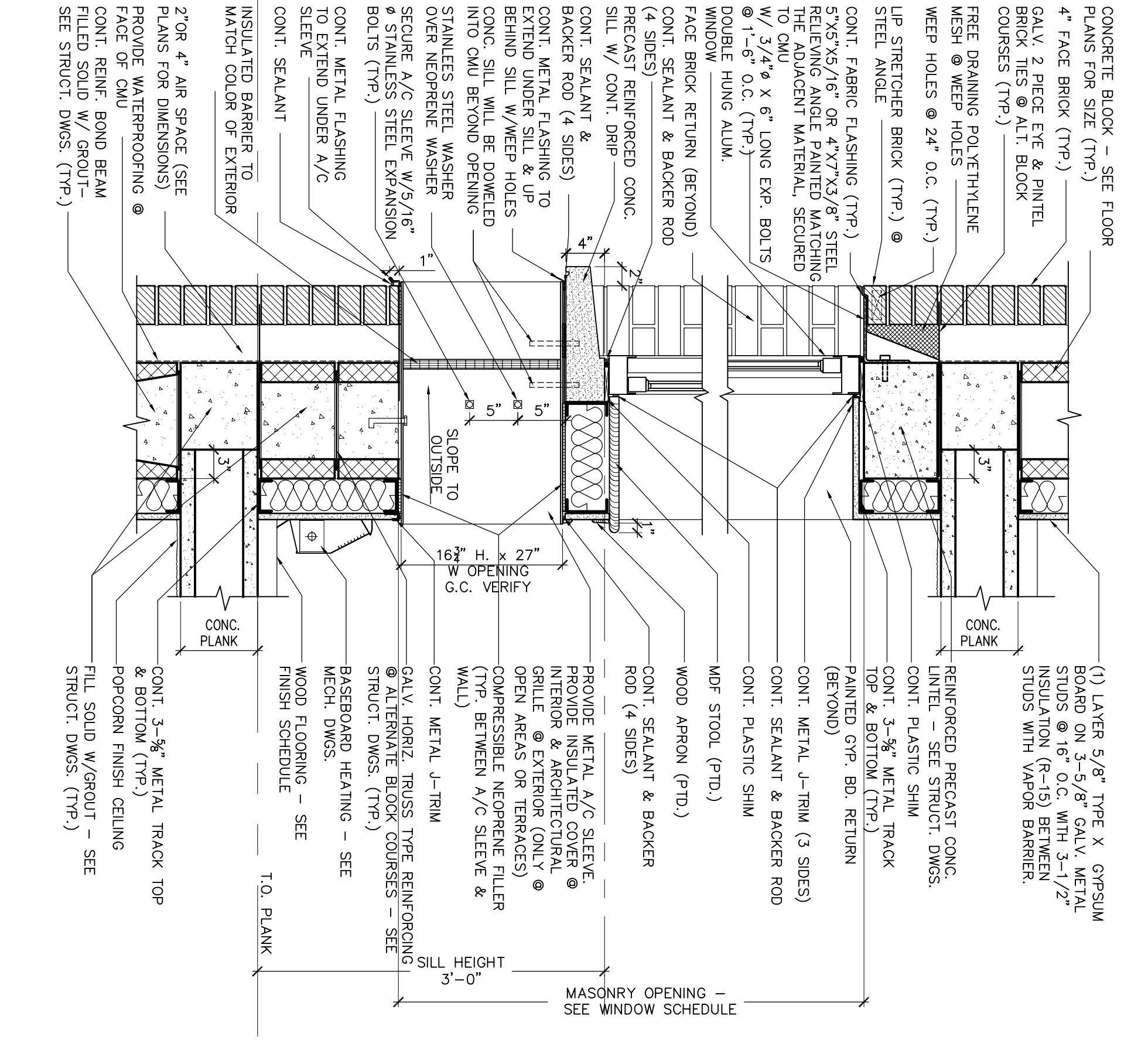
**2 WINDOW ELEV. @ BRICK**  
SCALE: 3/4"=1'-0"  
A-300.301.303

**3 WINDOW ELEV. @ STUCCO**  
SCALE: 3/4"=1'-0"  
A-300.302

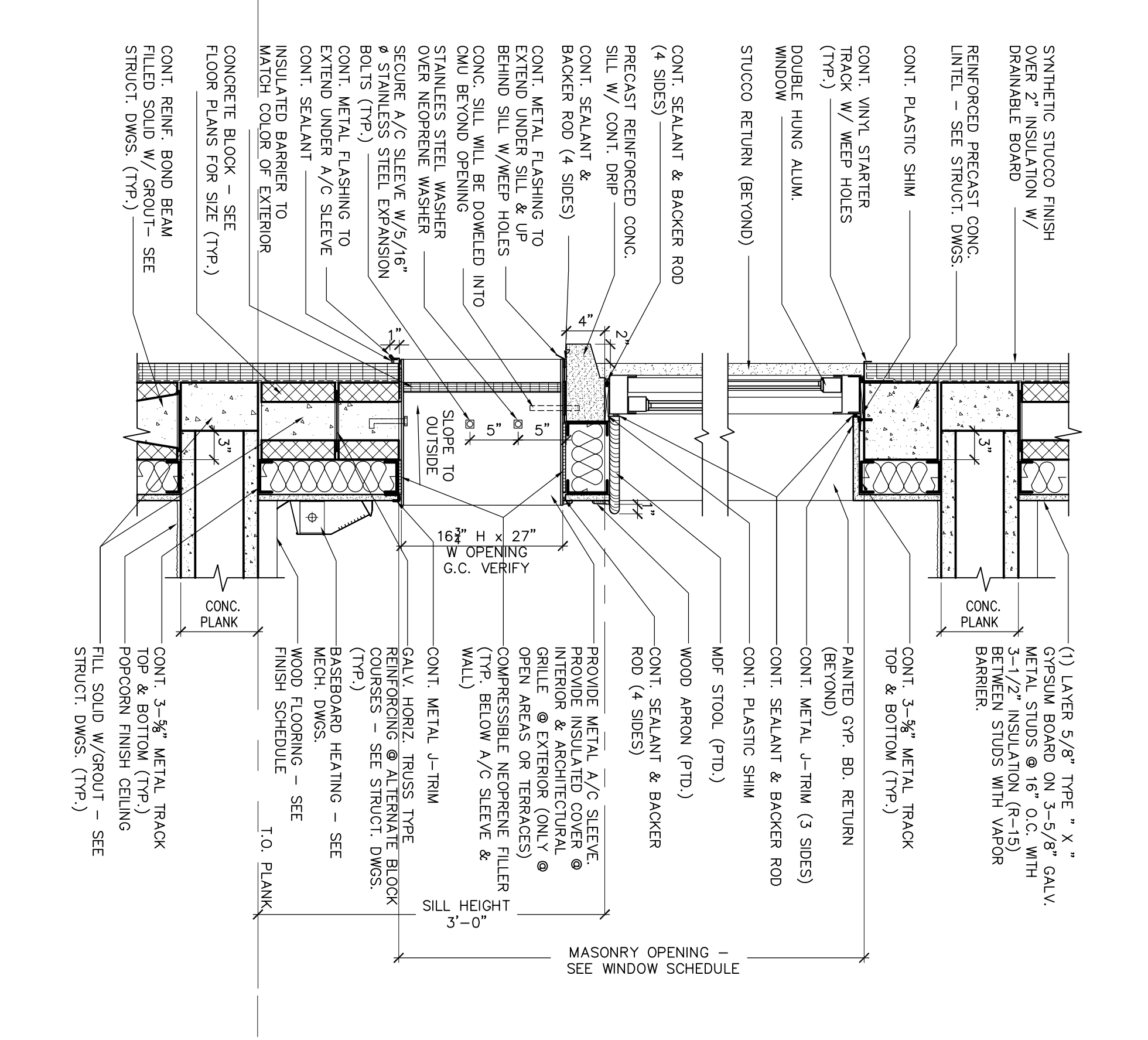
**4 WINDOW ELEV. @ BRICK & STUCCO**  
SCALE: 3/4"=1'-0"  
A-300.302



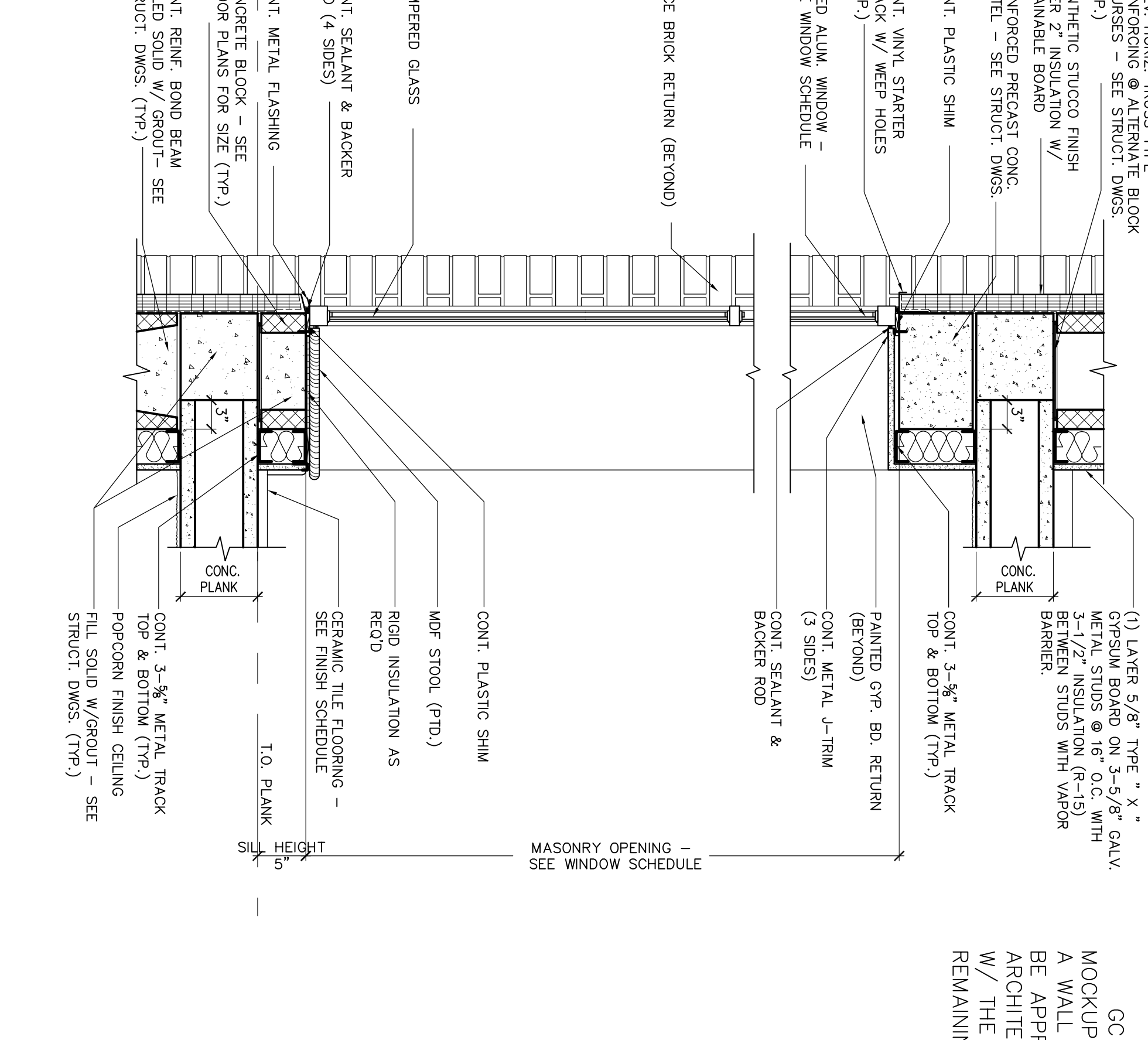
**1a TYPICAL WINDOW SECTION THRU CALCIUM SILICATE MASONRY UNIT**  
SCALE: 1/4"=1'-0"  
A-510



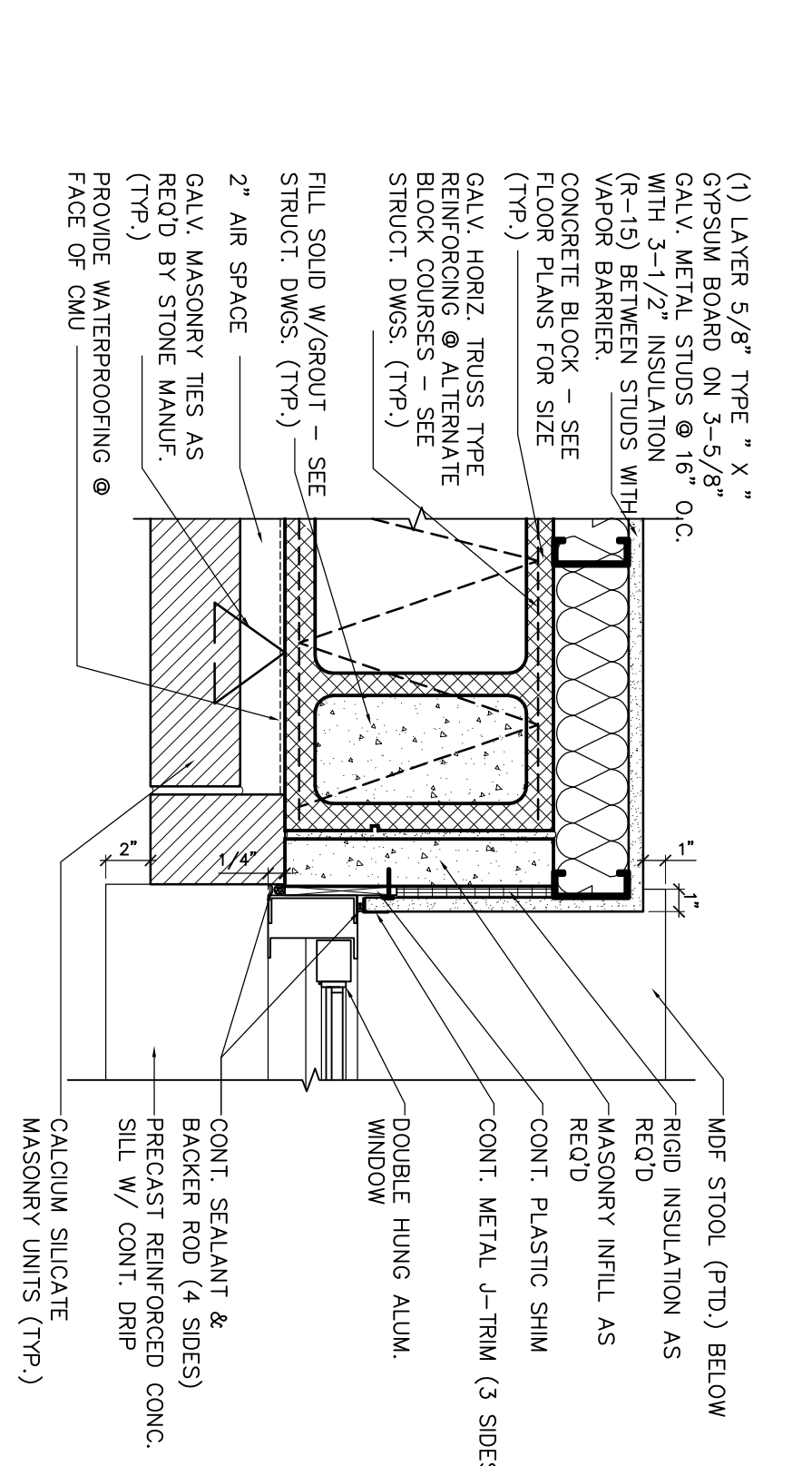
**2a TYPICAL WINDOW SECTION THRU BRICK**  
SCALE: 1/4"=1'-0"  
A-510



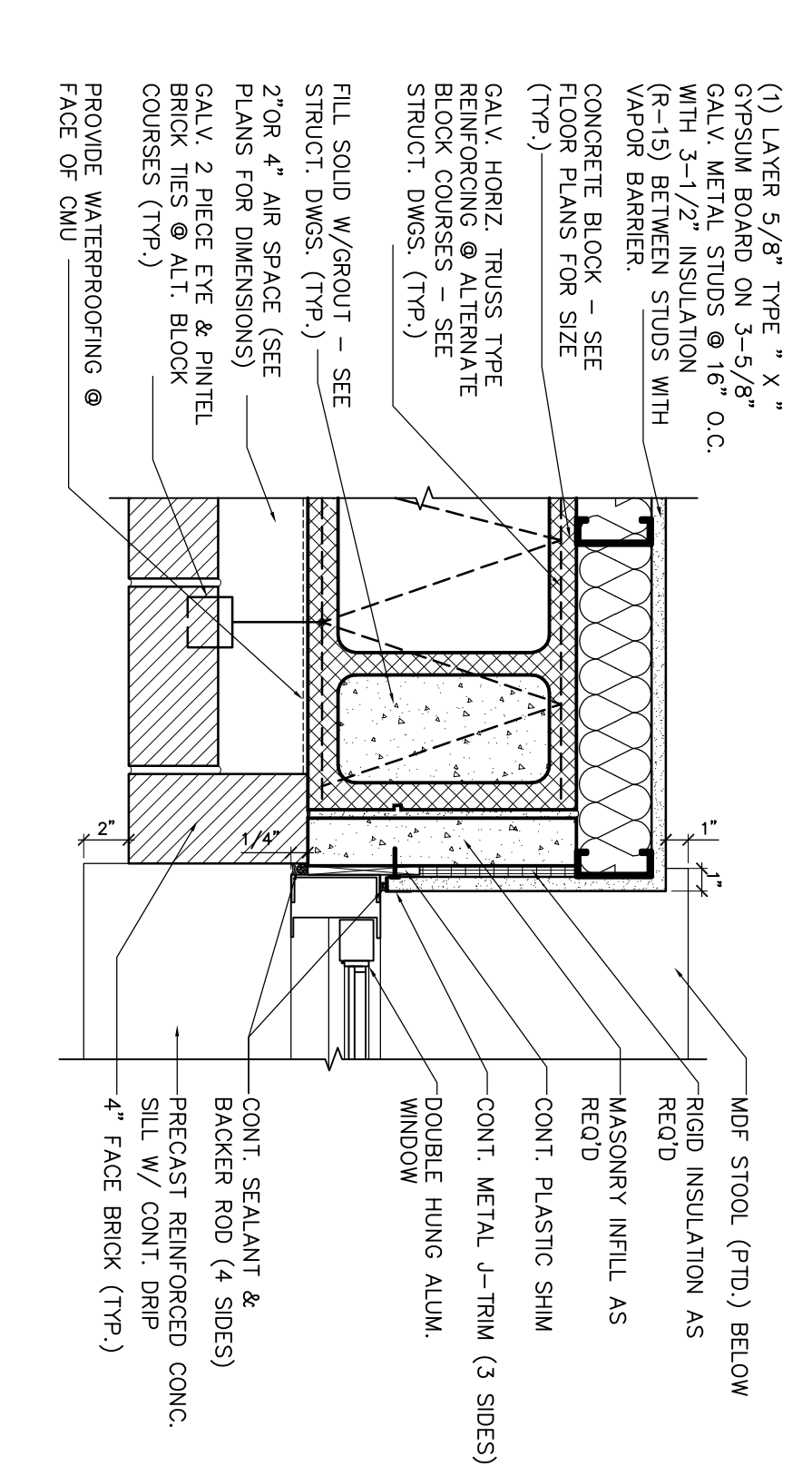
**3a TYPICAL WINDOW SECTION THRU STUCCO**  
SCALE: 1/4"=1'-0"  
A-510



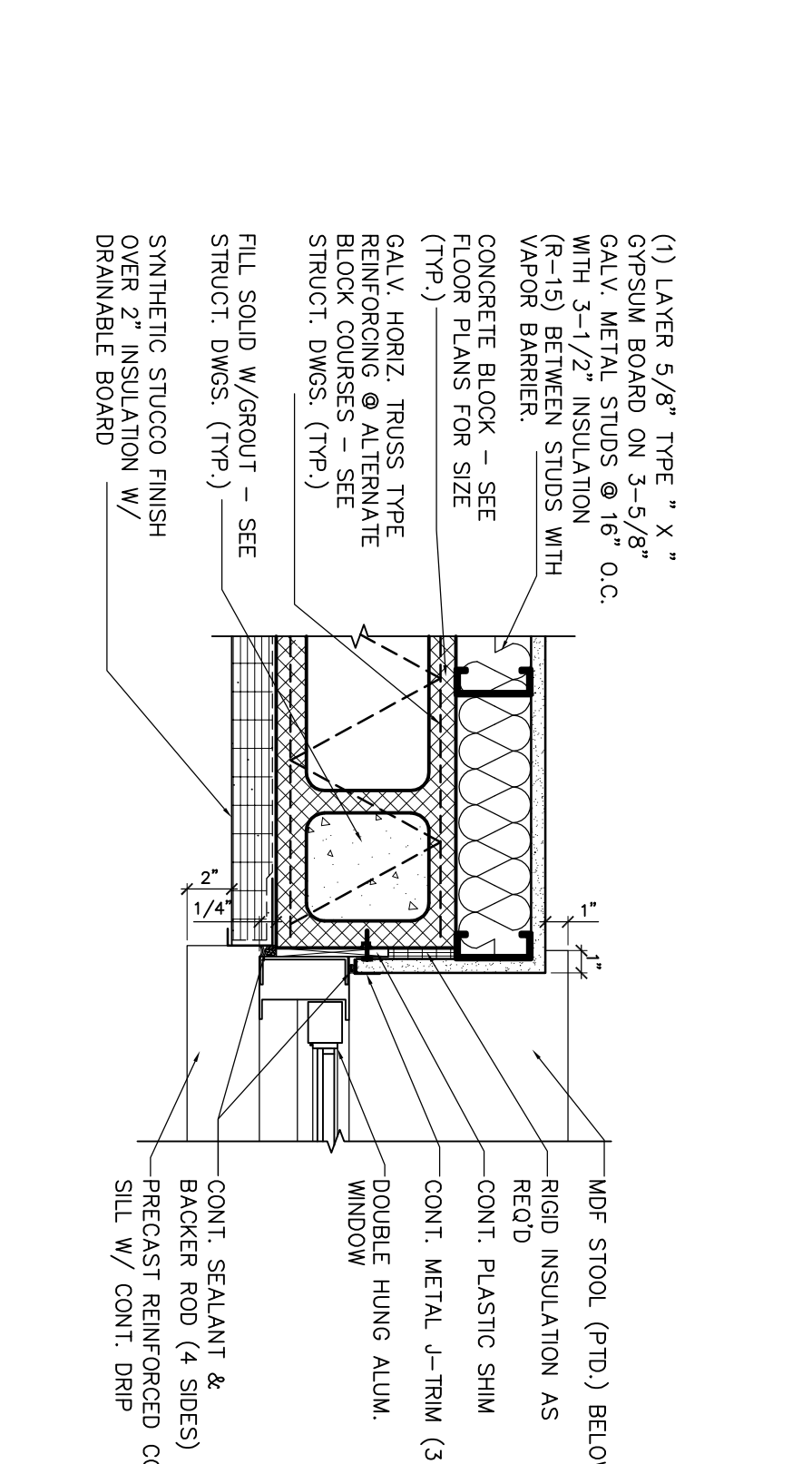
**4a TYPICAL WINDOW SECTION THRU BRICK & STUCCO**  
SCALE: 1/4"=1'-0"  
A-510



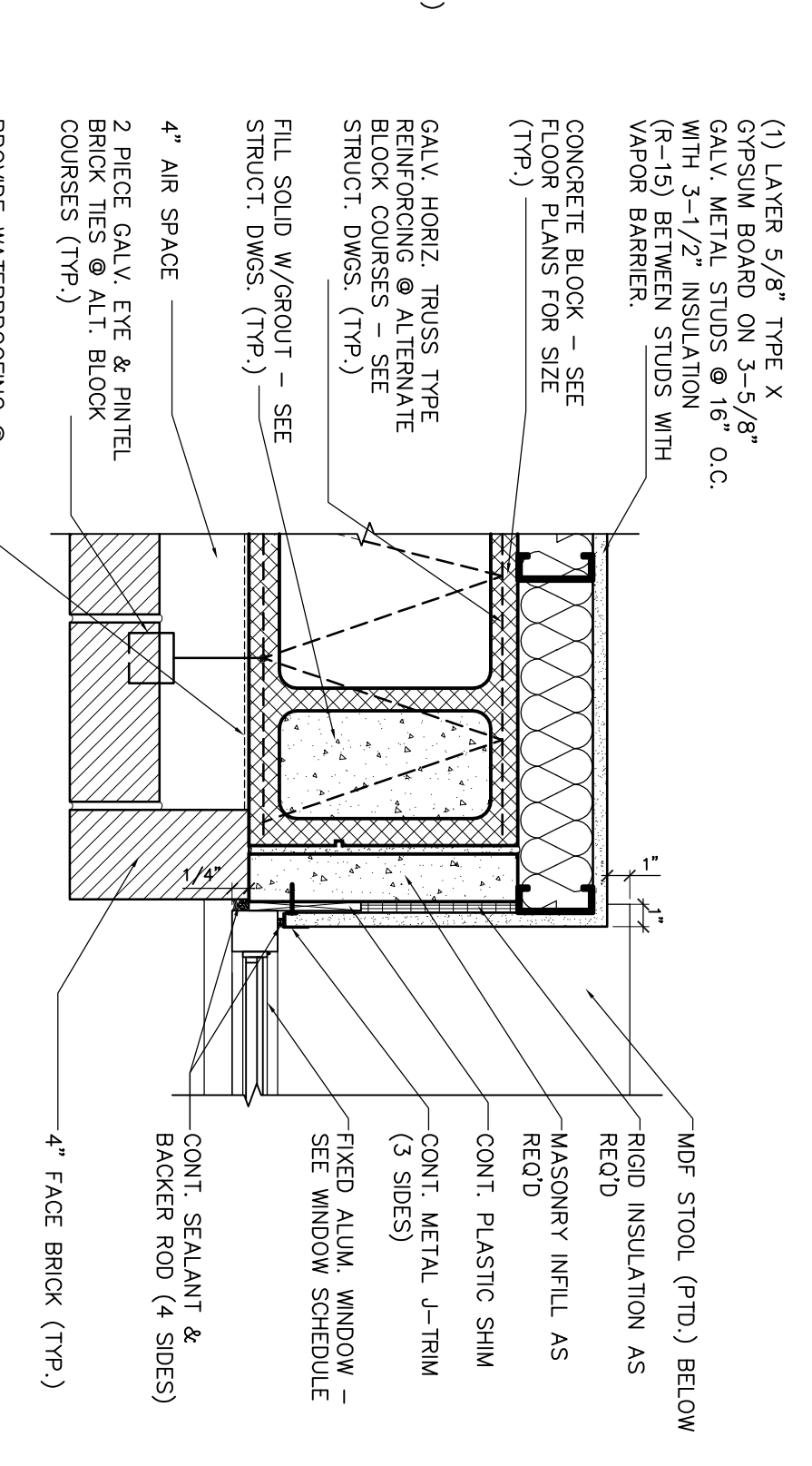
**1b WINDOW JAMB DETAIL @ CALCIUM SILICATE MASONRY UNIT**  
SCALE: 1-1/2"=1'-0"  
A-510



**2b WINDOW JAMB DETAIL @ BRICK**  
SCALE: 1-1/2"=1'-0"  
A-510



**3b WINDOW JAMB DETAIL @ STUCCO**  
SCALE: 1-1/2"=1'-0"  
A-510



**4b WINDOW JAMB DETAIL @ BRICK & STUCCO**  
SCALE: 1-1/2"=1'-0"  
A-510

**GEN. NOTE:**  
GC SHALL CONSTRUCT A MOCKUP OF THE A/C SLEEVE IN A WALL ASSEMBLY. MOCKUP MUST BE APPROVED BY THE OWNER/ARCHITECT BEFORE THE INSTALLATION OF THE REMAINING A/C SLEEVES.

**WINDOW ELEVATIONS AND DETAILS**